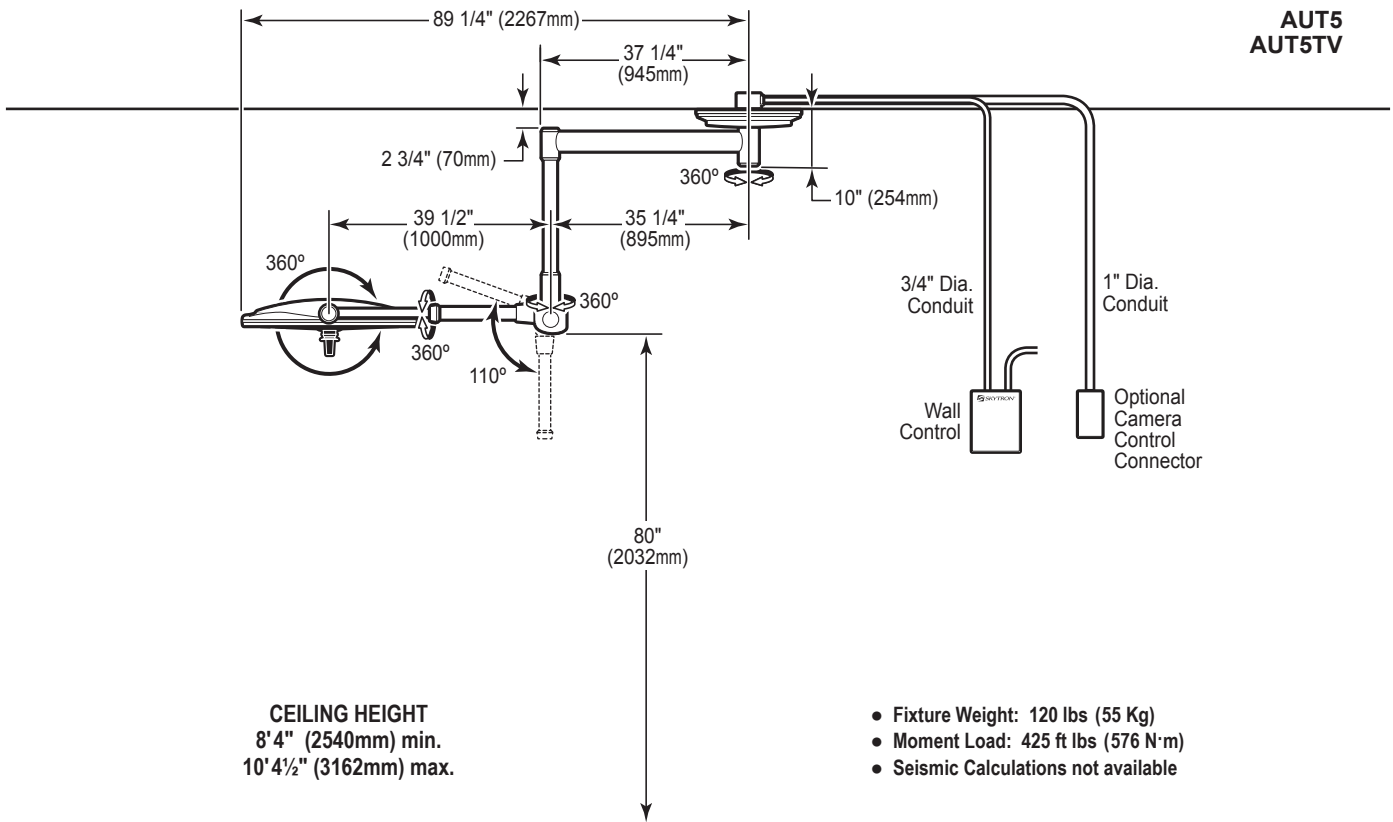


Product Elevation View

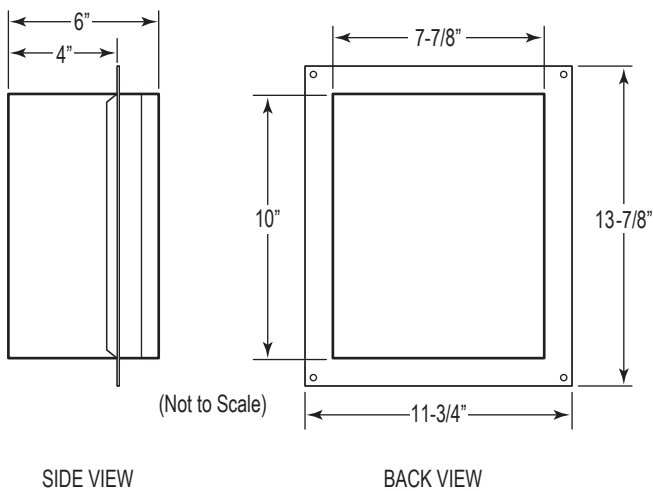


Mounting

Refer to Installation Instructions for specific mounting structure guidelines, wiring and wall control installation details.

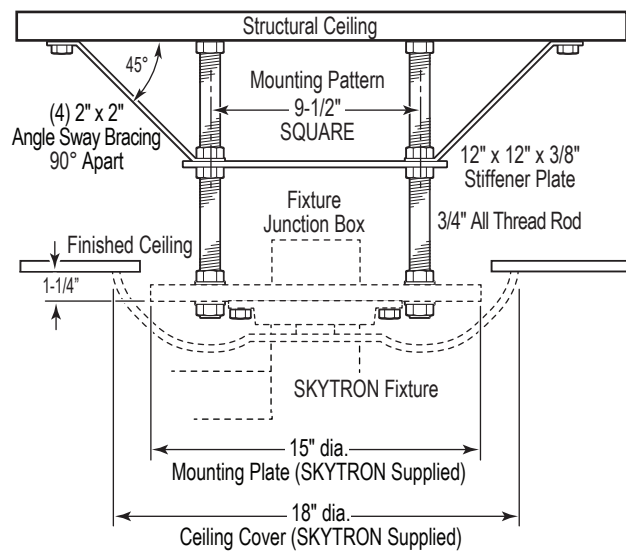
Wall Control

– Required, Priced Separately –



Typical Mounting Structure

– Provided by Others –



The base language for this document is ENGLISH. Any translations must be made from the base language.