

## AURORA 3 SERIES SURGICAL LIGHTS

Skytron's Aurora 3 Series surgical lighting system provides complete surgeon control of positioning, focus, and intensity from the sterilizable center handle. Energy efficient LEDs provide cool, color corrected light that is diffused evenly over the surgical site for optimum shadow reduction.

### Accessories / Options

**Wall Control** provides controls for main power, intensity control from 0 to 100% in 5 steps for each lighthead, color temperature selection of 4100°K or 4500°K, safety fuses and LED 40,000 hour change indicator. Required, priced separately.

**Optional AUT5TV Camera Ready Lighthead** accepts a Precision HD camera in place of the sterilizable focus/positioning handle. A sterilizable camera cover allows the surgeon lighthead positioning and focus control.

**Precision HD Camera System** provides dynamic, superb 1080i analog and 1080p digital quality video. The camera system consists of a Precision HD handle mounted camera, camera control unit (CCU), and video cabling. Camera system priced separately. Camera ready lighthead (AUT5TV) required.

**Sterile Handles** and various adapters are available for sterilizable handles and sterile disposable covers.

### Technical Data

Fixture Weight: 237 lbs (108 kg)

Moment Load: 864 ft lbs (1172 N·m)

Minimum Ceiling Height: 8'9½" (2680mm)

Maximum Ceiling Height: 10'4½" (3162mm)

Electrical: 100 - 240 VAC, 150VA, 50/60 Hz, 1 phase

Max Intensity at 1 meter (lux): @4100K = 284,000  
@4500K = 256,800

Central Illuminance at 1 meter (lux): @4100K = 142,000  
@4500K = 128,400

CRI: @4100K = 95 @4500K = 96

Color Temperature: @4100K @4500K

Total Irradiance (watts/m<sup>2</sup>): @4100K = 487  
@4500K = 452

R9: @4100K = 90 @4500K = 96



Model AUT55 Shown

### Standards

ANSI/AAMI ES60601-1: 2005 / C1: 2009 / A2: 2010  
CAN/CSA-C22.2 No. 60601.1: 2008 COR 2 2011  
IEC 60601-2-41 (2nd Ed. 2009-08)  
IEC 60601-1-6 (3rd Ed. 2010-01)  
IEC 60601-1-2 (3rd Ed. 2007-03)  
CE

### Architectural Specification

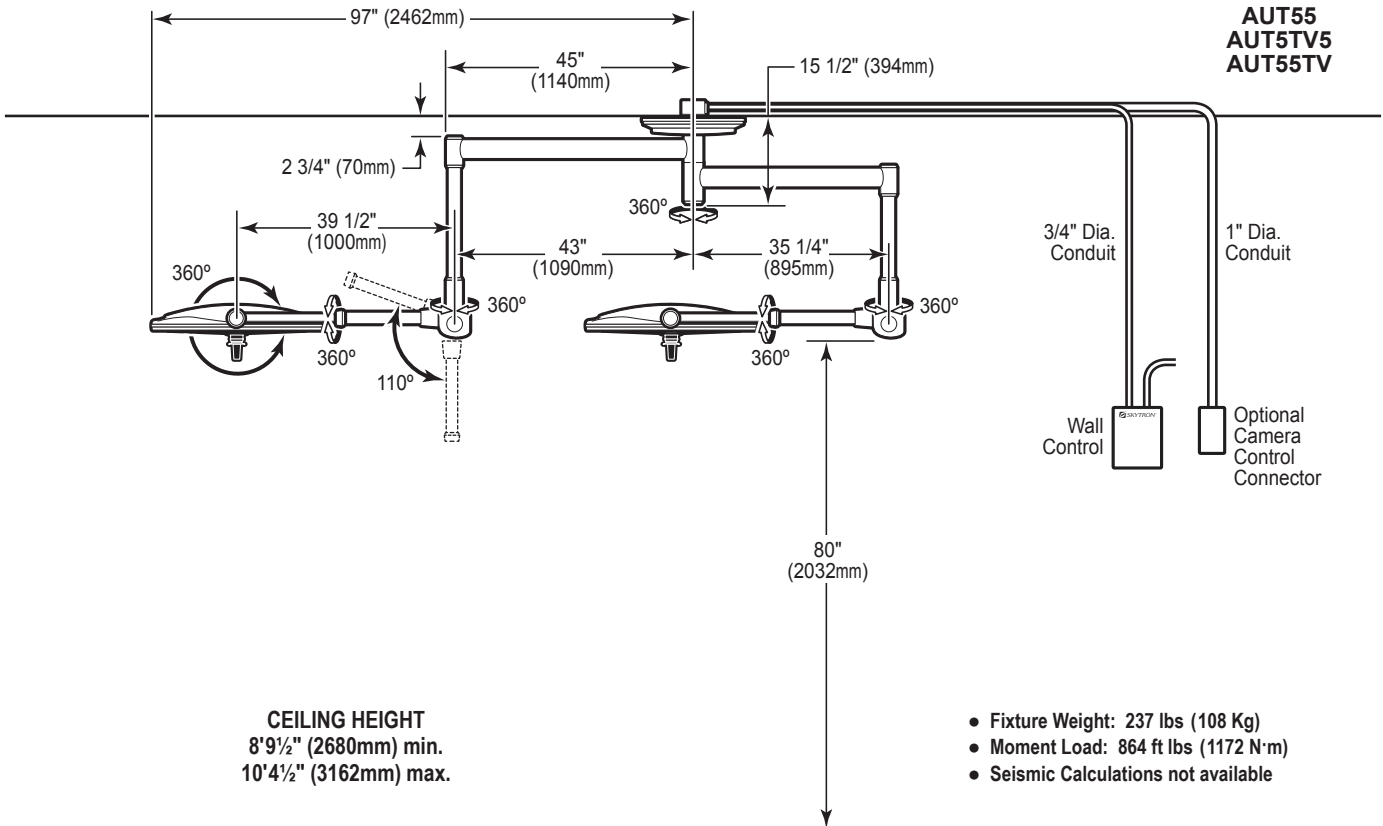
The Aurora 3 surgical lighting system consists of a ceiling mounted dual radial arm system with two 24" (610mm) diameter lightheads. Continuous 360° rotation is provided at all fixture rotation points.

Standard lightheads are equipped with a sterilizable center handle that allows surgeon control of lighthead positioning, focus and intensity. A focus knob and positioning handles are provided on the side of the lighthead for non-sterile control.

Each 24" (610mm) lighthead contains 5 focusable LED pods. Each focusable pod contains 7 individual LEDs with VSRD reflector technology. Each lighthead also contains 12 fixed focus center mounted LEDs. Total system output is 284,000 lux at a color temperature of 4,100K. LED life expectancy is 40,000 hours.

SKYTRON Aurora 3 series, model AUT55, AUT5TV5 or AUT55TV.

## Product Elevation View

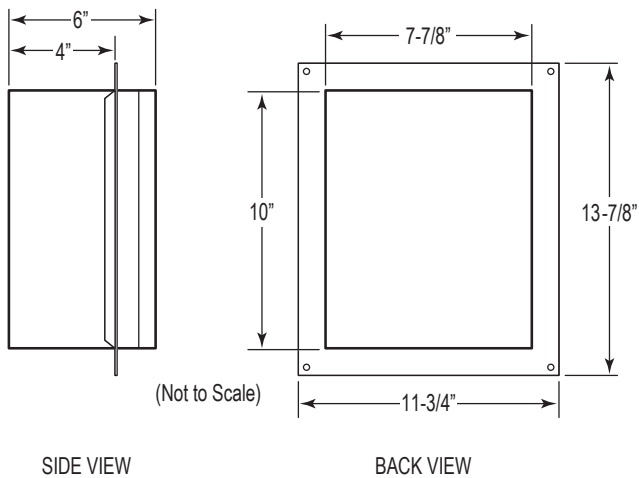


## Mounting

Refer to Installation Instructions for specific mounting structure guidelines, wiring and wall control installation details.

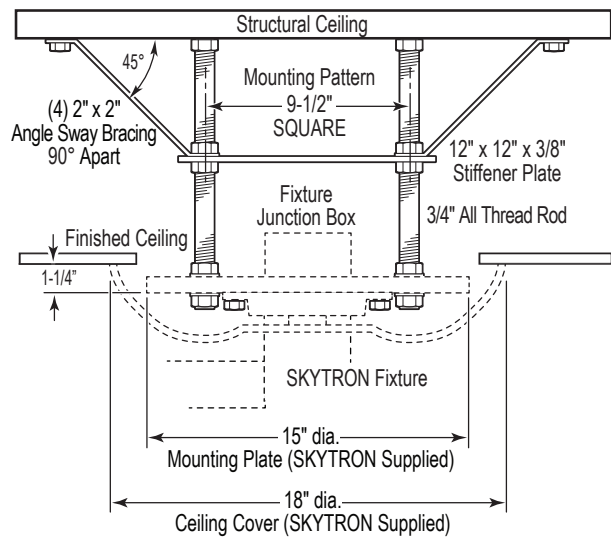
### Wall Control

– Required, Priced Separately –



### Typical Mounting Structure

– Provided by Others –



The base language for this document is ENGLISH. Any translations must be made from the base language.